



Outback Step System

Installation Guide

Congratulations on the purchase of your new step system!
You are now only a few short steps away from adding a Step Kit to your home.

Before you begin, please read the tips below to ensure a smooth installation:

Tip #1: Set aside time to install - no-one wants a rushed job.

Tip #2: Only build one layer at a time

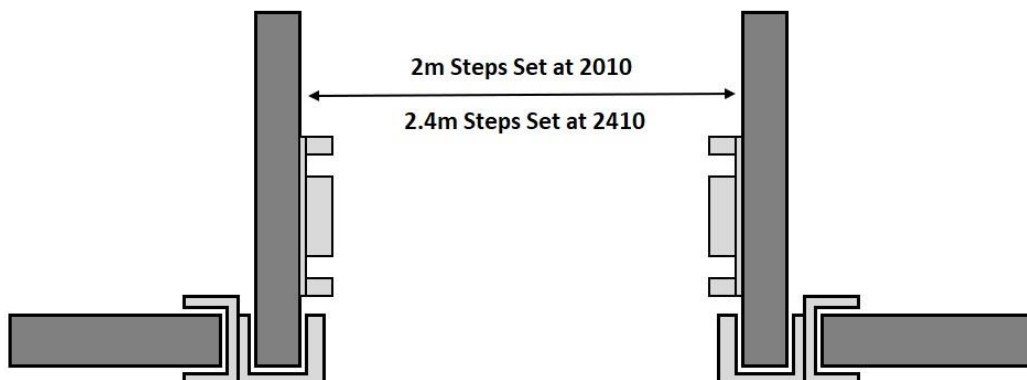
Tip #3: IMPORTANT Don't add sides before placing tread and cribs on existing layers

What you'll need:

- Sleepers (2 for each layer)
- Step Treads (2 for each layer)
- Cribs (1 for each layer)
- Support Plates (2 for each layer)
- Locating Pins (2 for each layer)
- Masonry Drill
- 10mm and 12mm Masonry bits
- Chemical Anchor Cartridge

Step One| Setting of Steel Channels:

1. Mark out the width required between the front channels, this is determined by the width of the steps (see attachment 1 for reference):
 - a. 2m opening steps - set channels to ensure face of sleepers are 2010mm apart
 - b. 2.4m opening steps – set channels to ensure face of sleepers are 2410mm apart
2. Mark the position of the rear holes at 2010mm centre to centre from the front holes
3. Drill 450mm diameter holes for the columns at a depth equal to the height of the steps with a minimum depth 600mm.
4. Place channels into holes and prop them up checking that measurements are all correct and the channels are all square to each other, before pouring concrete into holes and allowing to set.



Step Two| Fixing of Support Plates:

Bottom Step;

1. Place the first Support Plate (figure 2) centrally and squarely on the concrete sleeper, 80mm from the sleeper leading edge (see Figure 3, Dimension A)
2. Drill two 10mm pilot holes into concrete sleeper, 20mm deep, through the holes in the Support Plate.
3. Remove the Support Plate and drill out the two holes to 12mm diameter, 60mm deep, into the sleeper. Clean out all dust and chips from the drilled holes before continuing. Using the Chemical Anchor cartridge recommended, inject approximately 2.5cc into each of the drilled holes. Within 5 minutes of application, push in the Locating Pins with a twisting motion (this eliminates any air bubbles) until they are firmly seated at the base of the hole. Wipe any excess anchoring material away.
4. Align the Support Plate over the Locating Pins
5. Repeat the above process for the other side step sleepers; remembering to measure from the opposite end as the left side will be a mirror image of the right.
Leave the sleeper for a **minimum** of 1 hour for the chemical anchor fluid to cure* before placement in the wall.

*Dependent on chemical anchor manufacturer's recommendations

Subsequent Steps;

There are two methods for fixing the subsequent Step Brackets. Choose one from below:

1. **Method One:** Line up the new sleeper with the Side Support Sleeper you have just made up; align the notch on the new sleeper with the back-edge of the Support Plate and continue from step 2.
or
2. **Method Two:** Using a diagram, measure the distance from the front edge of the Side Support Sleeper to that of the step layer being laid; then continue from step 2.

Step Three| Placement of Concrete Components:

1. Starting from the bottom, place the first Side Sleeper on a smooth, solid surface between the Channel Piers. Repeat with the other side.
2. Place the Crib between the support brackets in the forward most opening.
3. Add two step treads onto the top section of the Support Plate, this will then complete the lowest step assembly.
4. Repeat this process with all following steps and backfill progressively.

Step Four| Admire your work:

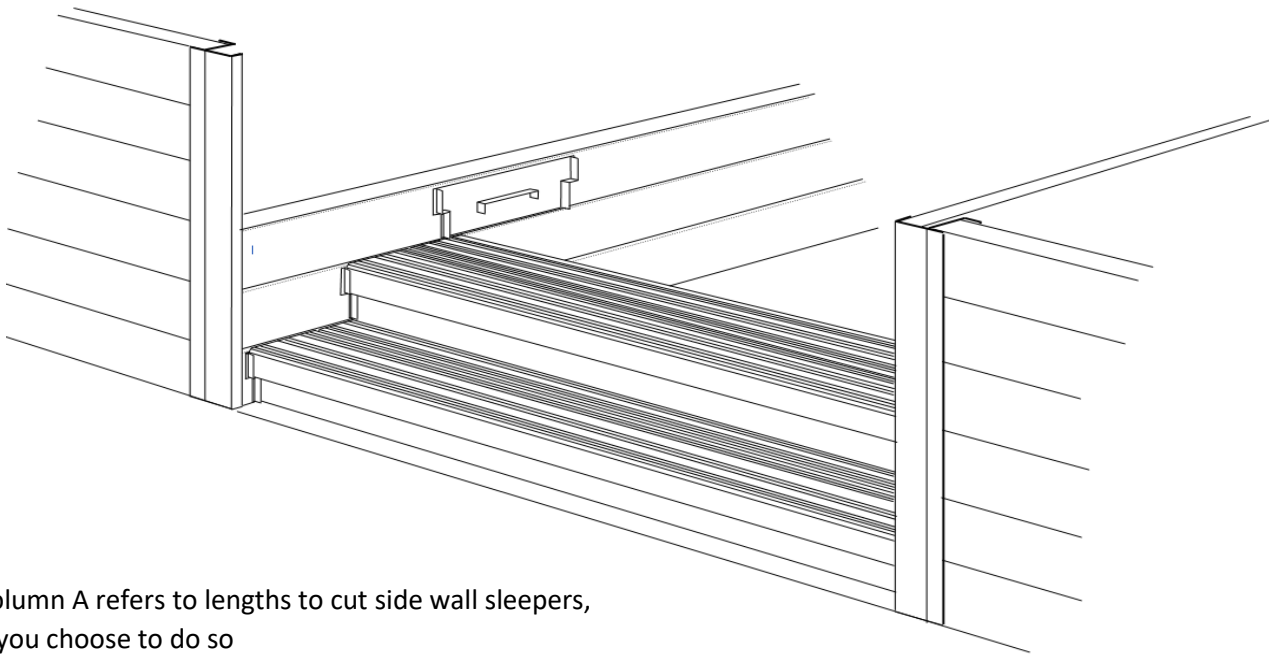
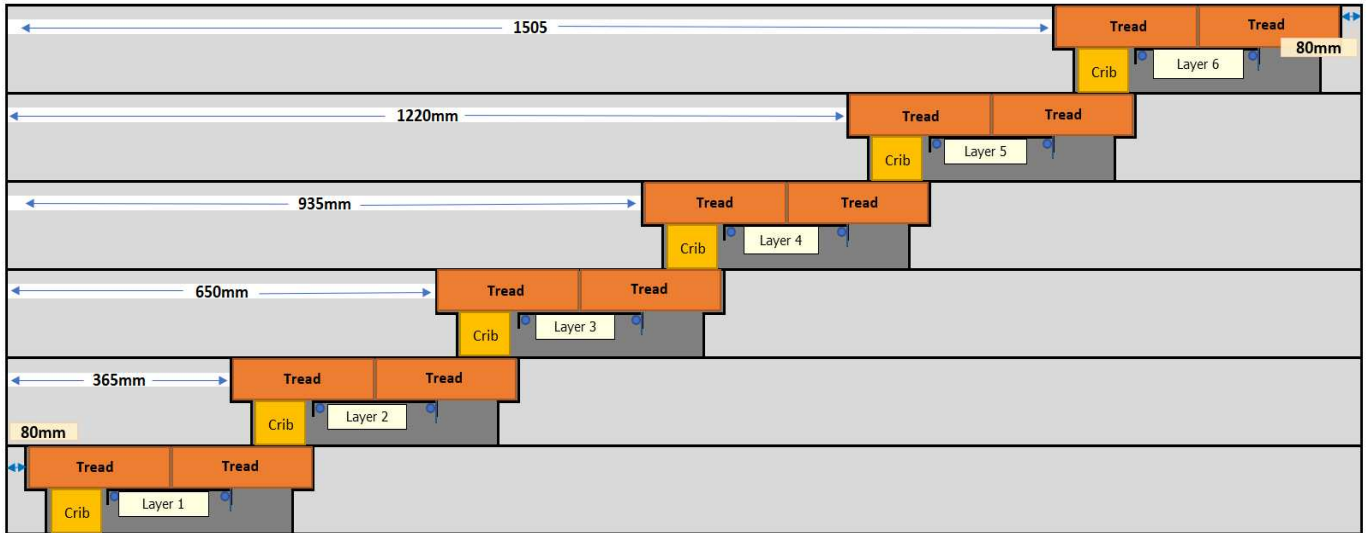
Once finished, take a step back and admire your new Step Kit!

Please feel free to call us on (08) 8387 9227 if you need any further assistance



Outback Step System

Installation Guide



Column A refers to lengths to cut side wall sleepers,
if you choose to do so

Column B refers to minimum distance cut away needs to be to accommodate step kits

	A	B
2 HIGH	760	1000
3 HIGH	1060	1300
4 HIGH	1360	1600
5 HIGH	1660	1900
6 HIGH	2000	2200