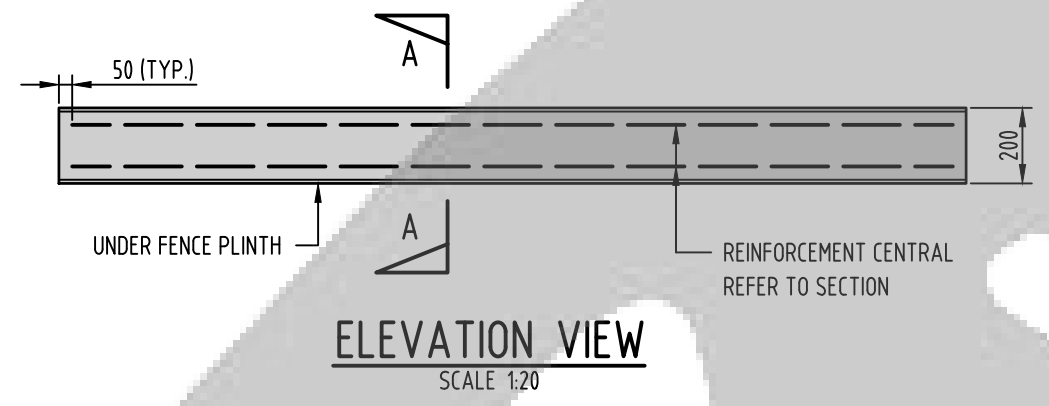
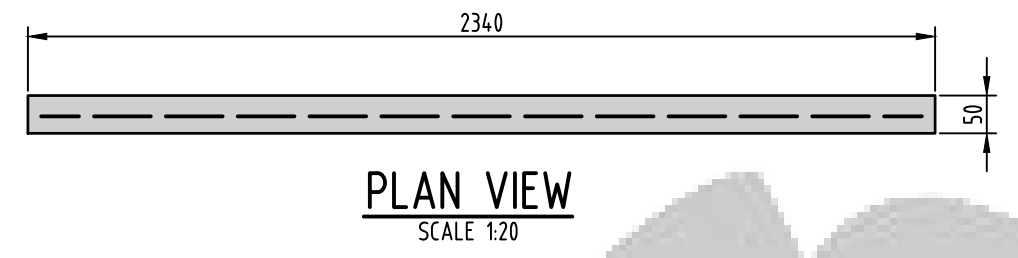
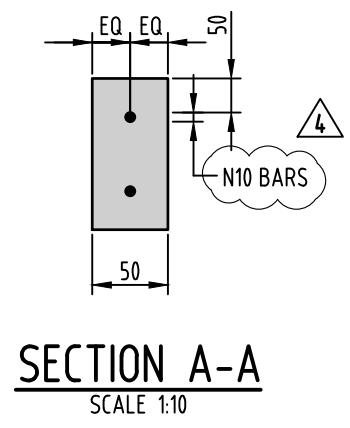
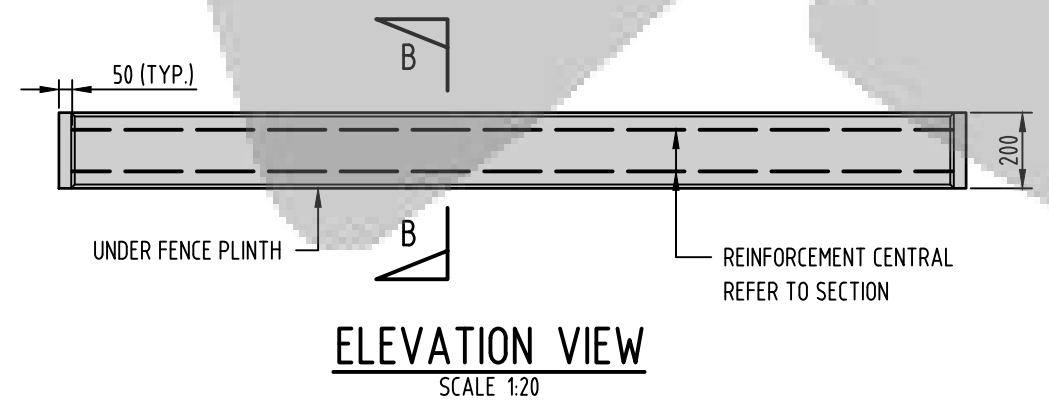
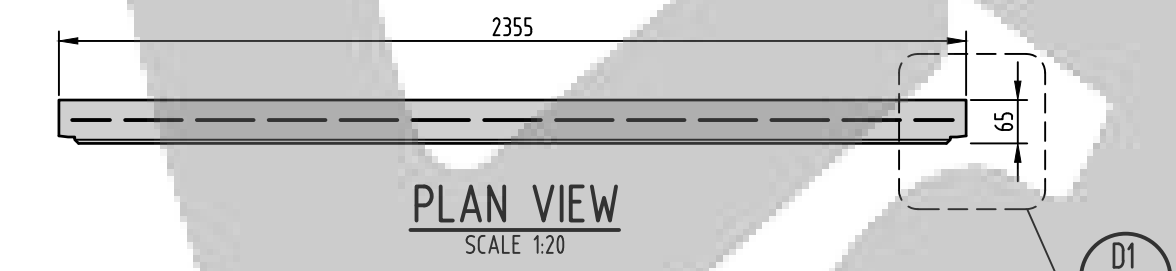
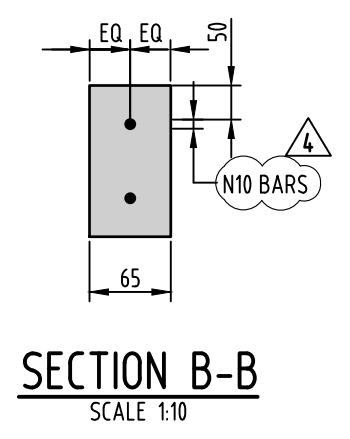


**SPECIFICATIONS**

1. UNDER FENCE PLINTH (UFP) CONCRETE GRADE TO BE N60. RIGID FORMWORK & INTENSE CONCRETE COMPACTION IN ACCORDANCE WITH AS 3600 IS REQUIRED FOR CASTING EACH UFP.
2. UFP STD NOT TO BE USED WITHIN 1 Km OF THE COAST.

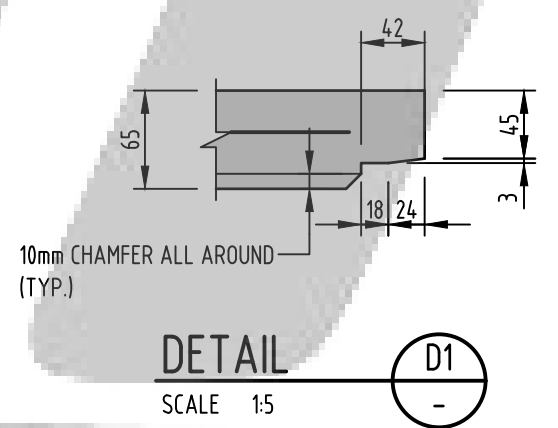


**STANDARD UNDER FENCE PLINTH (UFP STD)**  
SCALE 1:20



**HEAVY DUTY UNDER FENCE PLINTH (UFP HD)**  
SCALE 1:20

**CONSTRUCTION  
ISSUE**



REV.	DATE	DESCRIPTION	DRAFT	ENG.	CHK.
0	10.05.19	CONSTRUCTION ISSUE	AA	CL	CL
1	09.07.19	CONSTRUCTION ISSUE	AA	CL	CL
2	22.06.20	CONSTRUCTION ISSUE	AA	CL	CL
3	03.07.20	CONSTRUCTION REISSUE	AA	CL	CL
4	04.09.20	CONSTRUCTION REISSUE	AA	CL	CL

**WGA**  
WALLBRIDGE GILBERT  
AZTEC  
60 Wyatt Street, Adelaide  
South Australia 5000  
Telephone 08 8223 7433  
Email adelaide@wga.com.au

CONCRETE SLEEPERS  
OUTBACK SLEEPERS AUSTRALIA P/L

**UNDER FENCE PLINTH**

**A3**

Design: C.LINDNER  
Drawn: A.ARIEF

DRAWING NUMBER  
Job Number: WAD150933  
Sheet No. S04  
Rev. 4